



COMMERCIAL VEHICLE AUCTIONS LTD
THE UK'S MOST ESTABLISHED COMMERCIAL VEHICLE AUCTIONEERS

Carr Hill Industrial Estate
Doncaster
DN4 8DE

01302 732600 | cva.noreply@cva-auctions.co.uk

VEHICLE INSPECTION REPORT

YM18UXJ

Ford Transit Custom 280 2.0 TDCI 105PS

Inspection		Vehicle	
Serious Damage?	No	VAT	Plus VAT
		V5	To Follow

Details					
Reg. date	06/08/2018	Colour	WHITE	CAP Average	£5,900.00
Year	2018	VIN	WF0YXXTTGYJL03105	CAP Below	£4,500.00
Mileage	64,905 Miles Warranted	Body Style	Panel Van L1	Gearbox	MANUAL
Fuel Type	Diesel	MOT Due	24/09/2026	Gears	6
GVW	2800kg	CAP Clean	£6,975.00		

COLLECTED AS NON RUNNER- ENGINE TURBO GONE *WARNING LIGHT ON DASH* AD BLUE, SIDE LOADING DOOR

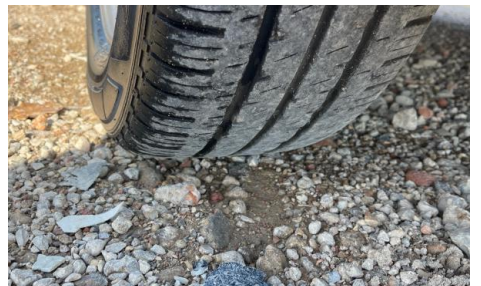
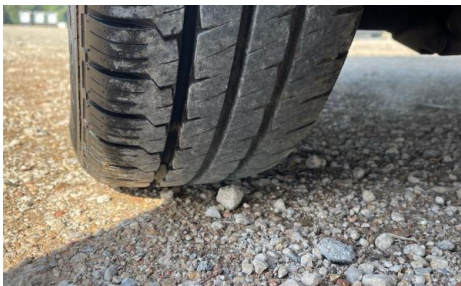
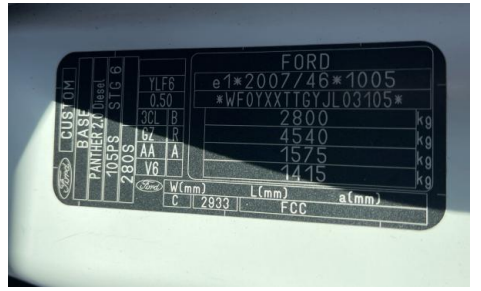
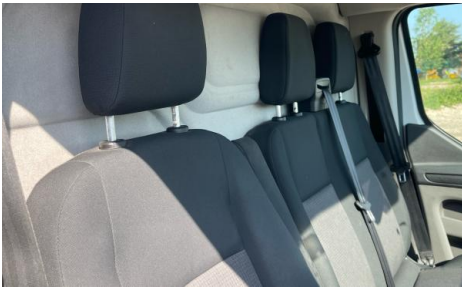
Tyres
NSF
NSR
OSF
OSR
Spare

Features

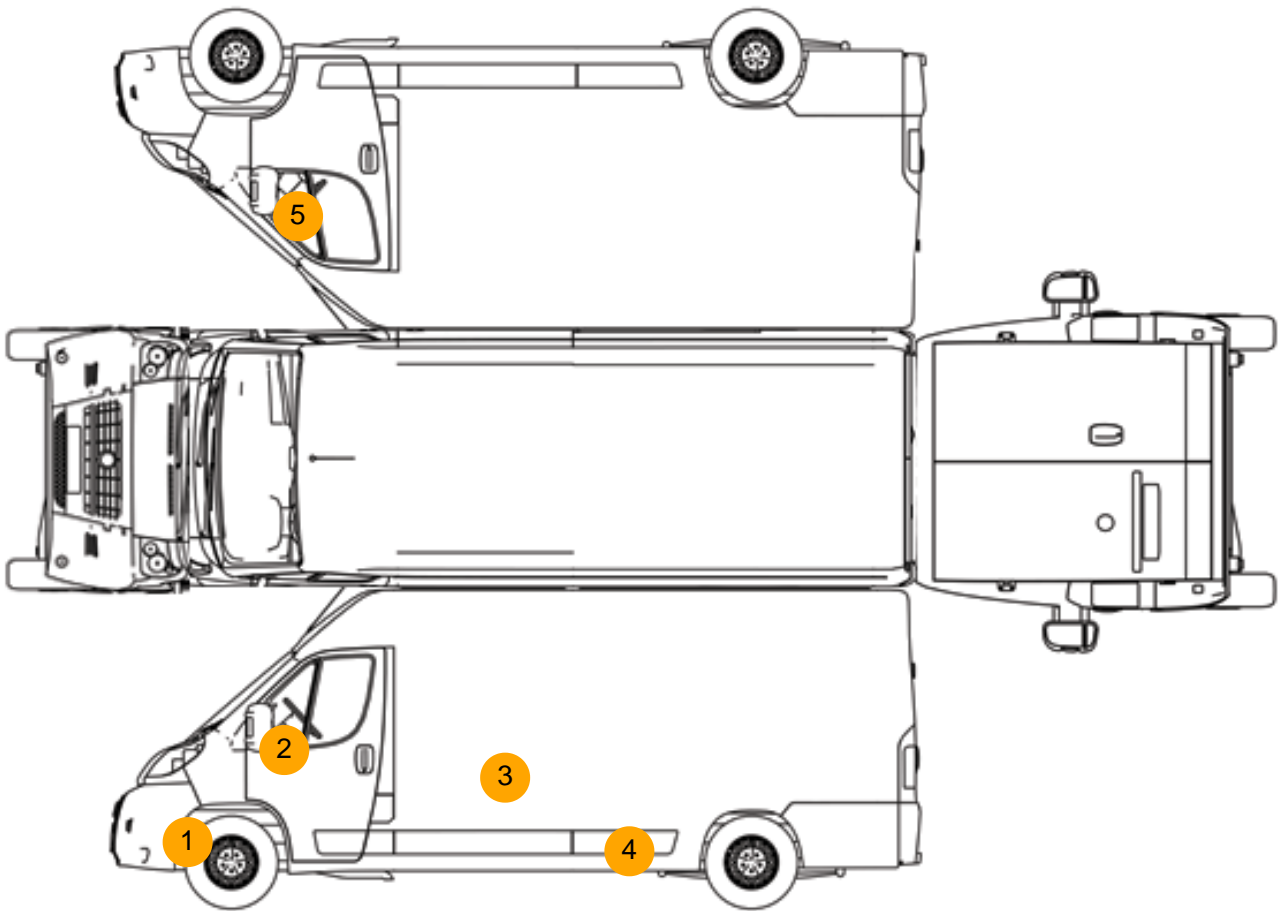
- Front parking sensor
- Park assist camera
- Front electric windows

Photos





Condition Check



Damage Photos



1: Bumper Front
Scratched
Over 25mm Not Thru Paint



2: Door Mirror Assy nsf
Scuffed (Unpainted)
Over 100mm



3: Door nsr
Dented
With Paint Damage

4: Door Moulding nsr
Scuffed (Unpainted)
Over 100mm



5: Door Mirror Assy osf
Scuffed (Unpainted)
UpTo 100mm

Interior

Carpet Condition	OK	Upholstery Condition	OK
Seat Condition	OK	Odour	No
Engine Runs	OK	Gearbox 1st and Reverse Test	OK
Brakes	OK	Clutch Slip Test from Static	OK
Parking Brake	OK	Gearbox Static Gear Selection (engine running)	OK
		No Excessive Smoking	OK
EML light illuminated	Fault	Oil warning light illuminated	OK
Airbag light illuminated	OK	DPF light illuminated	Fault
ABS light illuminated	OK	Service indicator light illuminated	OK